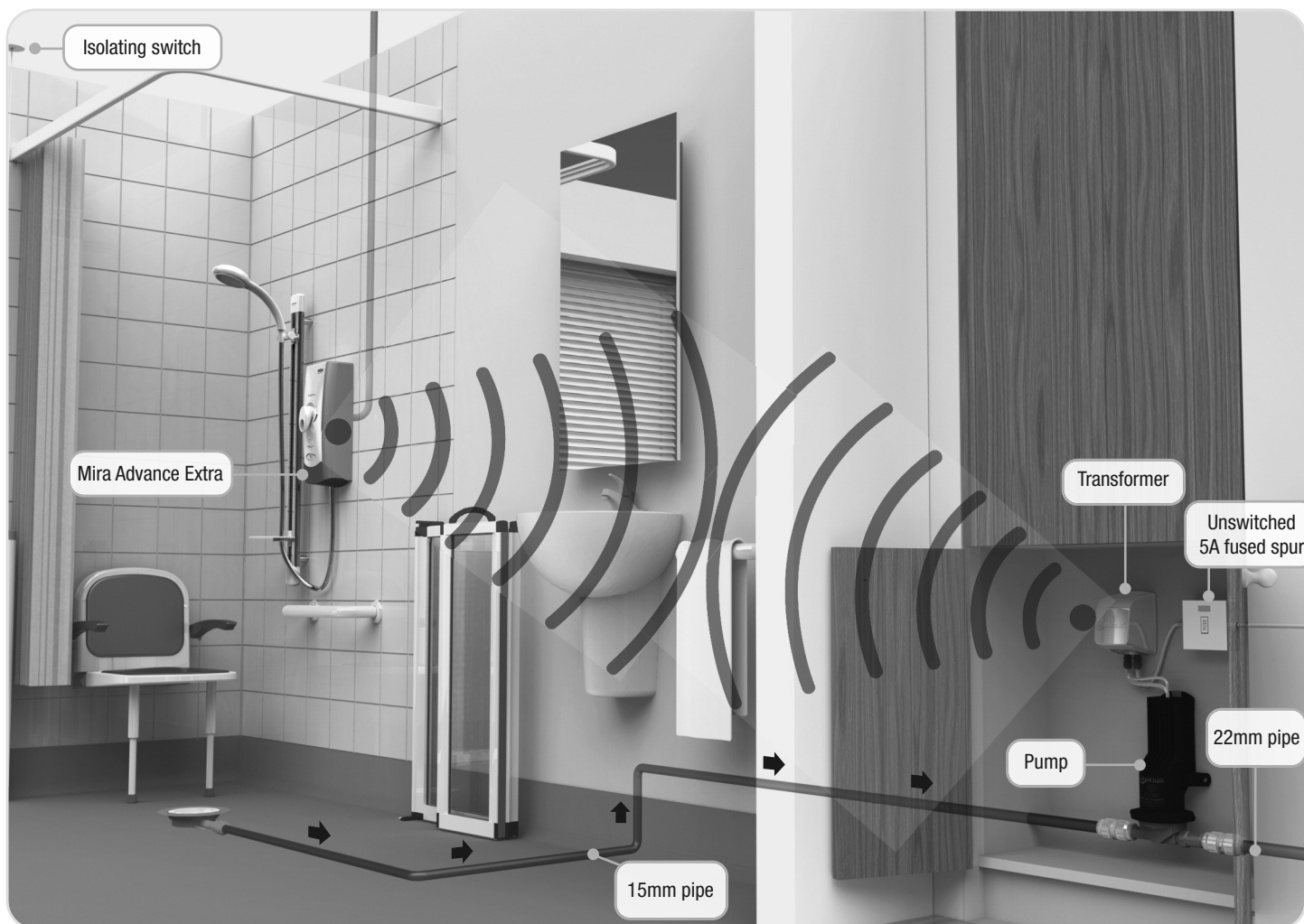


# INSTANT MATCH wireless



Range = 5 metres maximum for wireless signal  
Typical **INSTANT MATCH wireless** wet floor installation

WITH  
**Active Link**

## Installation guidelines for

### Models:

#### SDP134T Whale **INSTANT MATCH**® Wireless Kit

This kit may be used with the following Mira Advance showers:

|   |              |                  |               |
|---|--------------|------------------|---------------|
| <b>Mira Advance ATLW Flex Extra Wireless</b>  | <b>9.0kW</b> | <b>1.643.311</b> | <b>(J97P)</b> |
| <b>Mira Advance ATL Flex Extra Hard Wired</b> | <b>9.0kW</b> | <b>1.643.010</b> | <b>(J97H)</b> |
| <b>Mira Advance ATL Extra Hard Wired</b>      | <b>9.0kW</b> | <b>1.643.009</b> | <b>(J97G)</b> |

To use the **Whale INSTANT MATCH**® with other Electric Showers an additional flow sensor is required.  
For installation and settings, please see the separate instructions enclosed.

#### Flow Sensor Kit SDS223T



This booklet should be given to the customer after installation and demonstration



The front cover illustrates the product in a typical healthcare wet-floor installation.

Assess your installation prior to fitting to ensure that the pump and transformer will be situated in an **accessible position**.

Typical installations would have these components in an adjacent cupboard i.e. airing cupboard or in a false wall with an access panel. The cover does not have to be used in such areas.



**Incorrect installation may invalidate the warranty.**

## Principles of Operation

This kit has been designed for the pumping of shower waste water.

- When the shower is turned on, the internal Mira flow sensor or external Venturi sensor signals the transformer to supply d.c. voltage to the pump. The pump activates with a brief clearing cycle before the pump runs at its normal, lower pumping speed.
- Whilst showering, information about any variation of flow through the shower is sent to the **INSTANT MATCH wireless** transformer. This modifies the d.c. voltage to the pump, maintaining optimum pump speed.
- When the shower is turned off, the transformer stops the supply of d.c. voltage to the pump after a pre-set delay.
- After a further 15 minutes, the pump will switch on automatically for a short time at a reduced pumping speed. This removes water pooled in the shower area.
- The pump has the ability to run dry without causing damage to the pump.
- Before installation, read the instructions.
- Plumbing installation must comply with the plumbing regulation as specified in the latest WRAS leaflet for plumbing systems.
- The electrical wiring must conform to BS7671: 2008 Part 7 (17th Edition).

## Index

|  |    |
|--|----|
| Principles of Operation                                | 2  |
| List of Parts Included in the Kit                      | 4  |
| Accessories and Spares                                 | 4  |
| Plumbing Specification                                 | 6  |
| Plumbing Gulley  | 7  |
| Plumbing of Waste Pipe                                 | 8  |
| <b>Instant Match</b> System                            | 8  |
| Electrical Connections                                 | 8  |
| Shower Compatability                                   | 9  |
| WIRELESS Transformer Installation                      | 9  |
| Transformer Mounting & Electric Connections            | 10 |
| Transformer Settings                                   | 10 |
| WIRELESS System Registration - Shower                  | 11 |
| WIRELESS System Registration Process                   | 12 |
| WIRELESS Connection Test                               | 13 |
| HARD WIRED <b>Instant Match</b> Shower Settings        | 14 |
| HARD WIRED <b>Instant Match</b> Transformer Settings   | 14 |
| HARD WIRED <b>Instant Match</b> Electrical Connections | 15 |
| Safety Warning   | 15 |
| Installation Testing and Repair                        | 16 |
| EU Declaration of Conformity                           | 17 |
| Statement of Limited Liability                         | 17 |
| Specification  | 18 |
| Fault Diagnosis  | 19 |

## Illustrations

|     |  |    |
|-----|--|----|
| 1.0 | 90mm Gulley                            | 4  |
| 1.1 | Venturi Sensor                         | 4  |
| 1.2 | Pump Mounting Instructions             | 5  |
| 1.3 | Plumbing Specification                 | 6  |
| 1.4 | Pump Orientation                       | 6  |
| 1.5 | Rotation of Pump Head                  | 6  |
| 1.6 | Tray Gulley Installation               | 7  |
| 1.7 | Wet Floor Gulley Installation          | 7  |
| 1.8 | Plumbing 'Waste Fittings'              | 8  |
| 1.9 | Macerator Connections                  | 8  |
| 2.0 | <b>Instant Match</b> System            | 8  |
|     | Electrical Connections                 |    |
| 2.1 | Shower Compatability                   | 9  |
| 2.2 | WIRELESS Signal Range                  | 9  |
| 2.3 | WIRELESS Transformer Mounting          | 10 |
| 2.4 | WIRELESS Transformer Settings          | 11 |
| 2.5 | WIRELESS System Registration           | 11 |
|     | - Mira Advance Extra Settings          |    |
| 2.6 | WIRELESS System Registration           | 12 |
|     | - Shower and Transformer               |    |
| 2.7 | WIRELESS Connection Test               | 13 |
| 2.8 | WIRELESS Failure                       | 13 |
| 2.9 | HARD WIRED Mira Advance Extra Settings | 14 |
| 3.0 | HARD WIRED <b>Instant Match</b> System | 15 |
|     | - Electrical Connections               |    |
| 3.1 | External Pipework Test                 | 16 |
| 3.2 | Air Leak Test                          | 16 |

**Contact the Technical Helpline  
if you need further assistance**

**0845 0694 253**

A manufacturer with people,  
innovation and service at our heart.



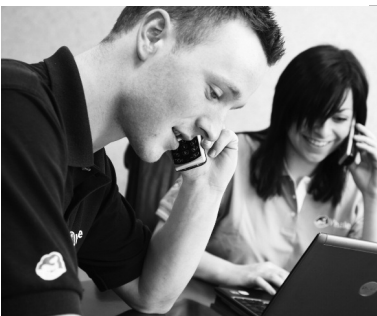
## **Reliability**

Designed and built to  
provide years of  
maintenance free life



## **Innovation**

Continuous product  
improvement



## **Service**

Nationwide service  
network and dedicated  
technical helpline

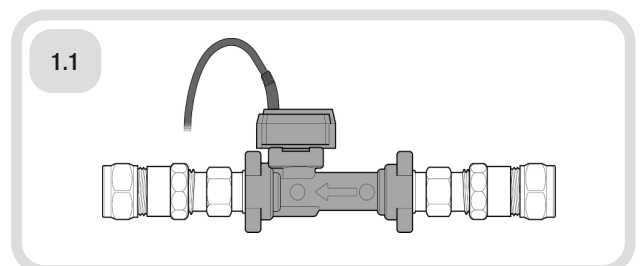
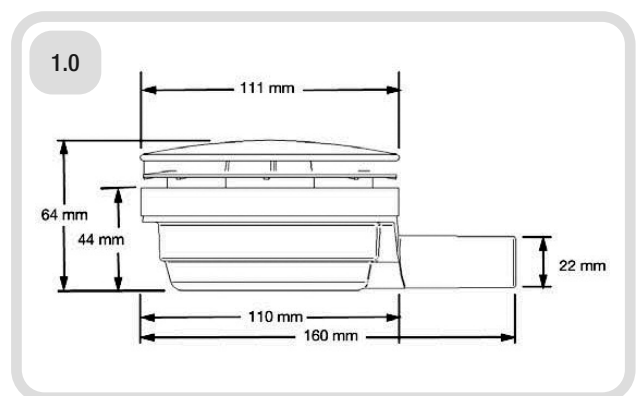
## List of Parts included in kit

| Item                                 | Part No. | Qty   |
|--------------------------------------|----------|-------|
| Shower Drain Pump                    | SDS021T  | 1     |
| Pump Cover Base                      | 755.178  | 1     |
| Pump Cover                           | 755.177  | 1     |
| Transformer, <b>INSTANT MATCH</b>    | 755.549  | 1     |
| Wet Floor Gully                      | 755.274  | 1     |
| Tray Gully Kit                       | 755.108  | 1     |
| Tricuspid Valve Holder               | 755.59   | 1     |
| Tricuspid Valve                      | 755.57   | 1     |
| Rubber Waste Adaptor 2 part,         |          |       |
| 22 mm - 1½" fitting                  |          | 1     |
| 22 mm - 22 mm fitting                |          | 1     |
| 22 mm - 15 mm fittings               |          | 2     |
| Electrical connector block, two core |          | 1     |
| <b>Fitting kit:</b>                  |          |       |
| Female crimp spade connectors        |          | 2     |
| Mounting screws                      |          | 4 & 3 |

## Accessories and Spares

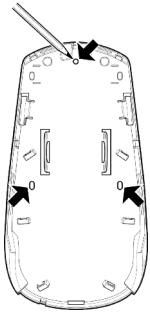
These additional parts may be ordered from your distributor:

- 90 mm Gully (O/A dimensions 64 mm h x 111 mm dia)  
Part No. AK1695 **See Fig 1.0**
- Venturi Flow Sensor Part No. SDS223T **See Fig 1.1**
- Shower Drain Pump Part No. SDS021T
- **INSTANT MATCH** Transformer 755.549  
Part No. SDS131T
- Tricuspid Valve Qty 10 Part No. SDS211B
- Pump Head Replacement Kit (including diaphragm and tricuspid valve) Part No. SDS071T
- Diaphragm and Tricuspid Valve Kit Part No. SDS061T

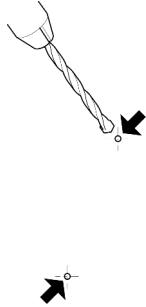


# Pump Mounting Instructions

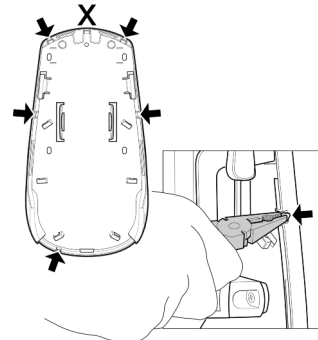
1.2



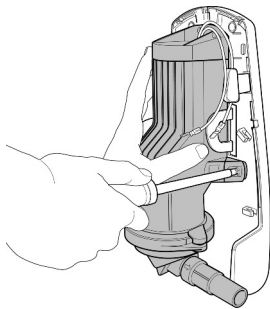
Use the backplate as a template to mark the position of the mounting holes.



Use a 7mm bit to drill holes at marked points and insert No 8 wall plugs.

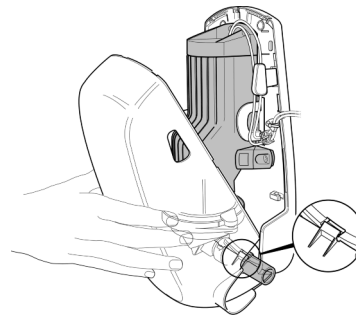
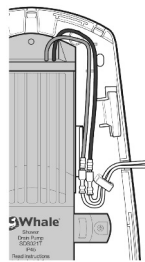


Use pliers to open up desired cable entry point on backplate. Don't use top centre entry. X = DO NOT USE

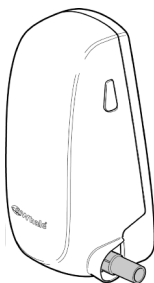


Fix pump to wall using No 8 screws. Use crimps supplied to terminate 24v d.c. cable from transformer, connect to pump and feed cable through entry point.

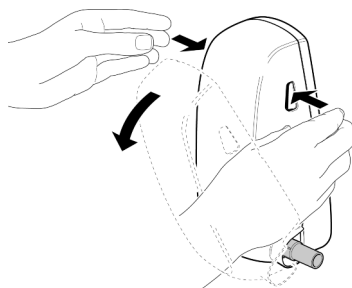
Hold cable in place using adjacent cable bracket.



To fit cover, locate bottom lug into backplate, and pivot cover forward until top clips click into place.



To remove cover use two hands to push backplate clips together. As clips disengage, the cover will fall forward and may be lifted away.



If the pump is misaligned on the backplate or pump head is not parallel with backplate the push-fit connectors may prevent the front cover from fitting properly. Adjust pump, pump head or connecting pipework to achieve a good fit.

Elbows should not be attached directly to the pump inlet and discharge. If the situation demands that plumbing fittings are required, ONLY use John Guest push-fit elbows. Other types are not readily demountable and may foul the cover.

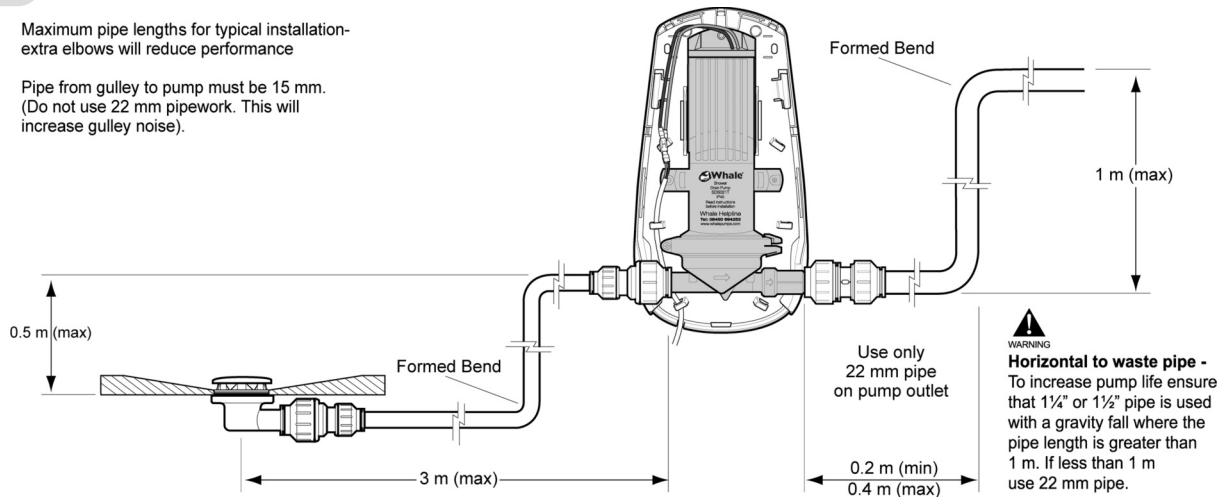
# Plumbing Specification

## Do Not Exceed This Specification

### 1.3

Maximum pipe lengths for typical installation- extra elbows will reduce performance

Pipe from gully to pump must be 15 mm. (Do not use 22 mm pipework. This will increase gully noise).

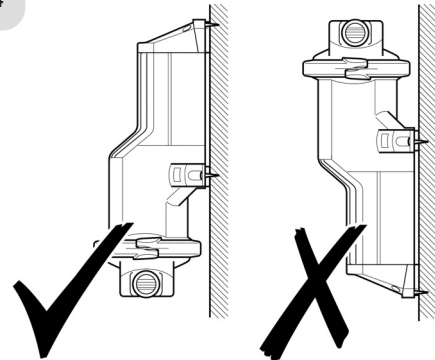


- Whale pump is IP45 compliant. Locate pump in accordance with BS7671: 2008 Part 7 (17th Edition).

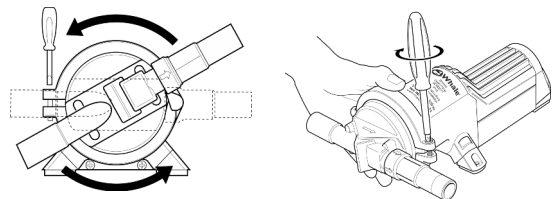
The pump may be installed in zones 1, 2 or 3.

- Maximum flow rate 8 litres/min.
- Pump and transformer **MUST BE ACCESSIBLE AFTER INSTALLATION.**
- Use slow radius bends where possible. Full size elbows are acceptable, **not stem or Male/Female elbows.** Where possible avoid attaching elbows to the pump if possible.
- Inserts **MUST NOT** be used with plastic pipe.
- Use push fit fittings supplied. Ensure pipe is **pushed home into the connections and 'twist locked'**. All fittings onto the pump must be demountable without the need for special tools.
- Ensure pipe edges are burr-free. Do not use a hacksaw to cut pipe.
- Use one vertical lift to the pump and one vertical rise from the pump. **See Fig 1.3** Pipework must be secured.
- If the pump discharge is combined with other appliances there is a risk of induced syphoning. Use an anti-syphon trap where necessary.
- The shower floor must have a fall of at least 25 mm in 1 m (1 in 40).
- Mount pump, with head down, as shown. **See Fig 1.4**
- Mount the pump on a solid wall to prevent vibration. If this is not possible, use a back board. **See Fig 1.4**

### 1.4



### 1.5



- The pump inlet and the gully outlet should point toward each other to ensure that connecting pipework is as directly as possible.
- Rotate the pump head if necessary. Loosen clamping ring screw, rotate and retighten as shown. **See Fig 1.5**
- Before commissioning the shower and running water through the system, ensure that the shower area and gully are completely free of building debris, especially tile grout, screed material and latex.
- **For pump mounting instructions See Fig 1.2 Page 5**

## Plumbing Gully

Orientate gully so that it exits towards the pump inlet to avoid unnecessary bends.

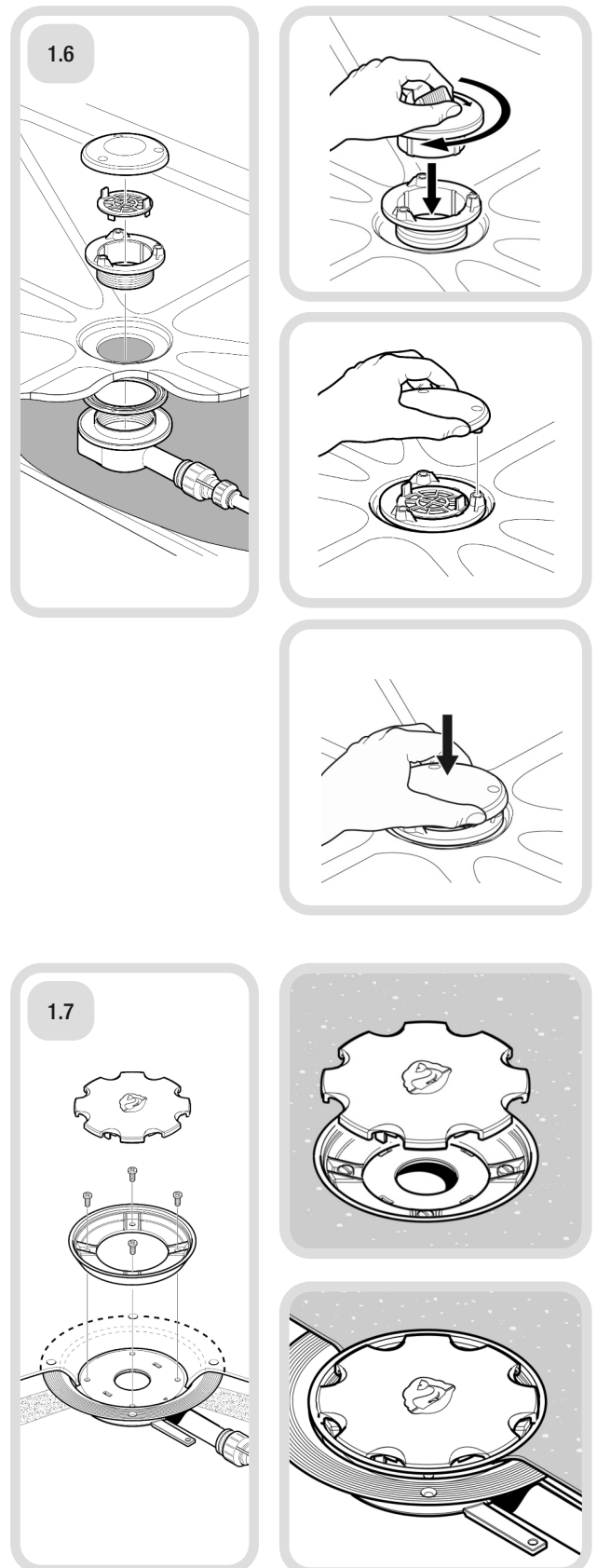
- When fitting in solid floors if copper pipe is used, it must be sheathed to prevent corrosion.

**Tray Gully** The tray gully has a 35 mm profile to enable it to fit into a screed floor without penetrating the damp-proof membrane. **See Fig 1.6**

- Use silicone on top of the seal to ensure proper sealing beneath tray.
- Use the hand tool provided to tighten the locking flange and leave it in place to keep debris out of gully. Only remove it and fit the gully cover when the shower area has been cleaned. **See Fig 1.6**
- Ensure that the gully debris grid provided is fitted before the shower is used. **See Fig 1.6**

**Wetfloor Gully** The wet floor gully has a 40 mm profile to enable it to fit into a screed floor without penetrating the damp-proof membrane. **See Fig 1.7**

- Where a floor former is not used, the gully has two lugs either side of the discharge pipe to enable the gully to be fixed to the floor whilst screed is laid.
- Where a floor former is used, these lugs can be broken off easily to enable it to be fitted.
- The gully has a conventional clamping ring to accommodate vinyl flooring.
- Once the area has been cleaned and before the shower is lined, remove dust seal and click cover into place.



## Plumbing of Waste Pipe

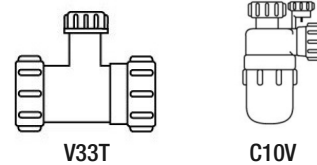
The outlet of the pump may be connected into the waste pipe, e.g. former bath waste. Black rubber fittings are provided for this.

- In confined bathrooms pump discharge may go into the sink waste pipe using suitable adaptors. See Fig 1.8 for McAlpine examples and their catalogue for other variants.

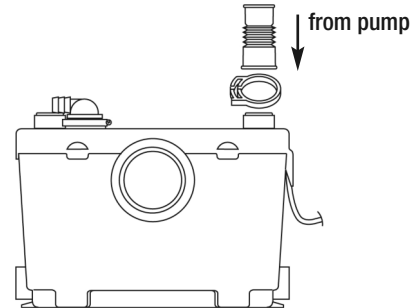
### Use with a Macerator Pump

- Discharge from the Whale® pump must go into the top of the macerator box. Do not use the bottom entries. See Fig 1.9
- It is preferable to have two separate discharge lines to waste as any failure of the macerator will not be detected by the Whale pump.

1.8

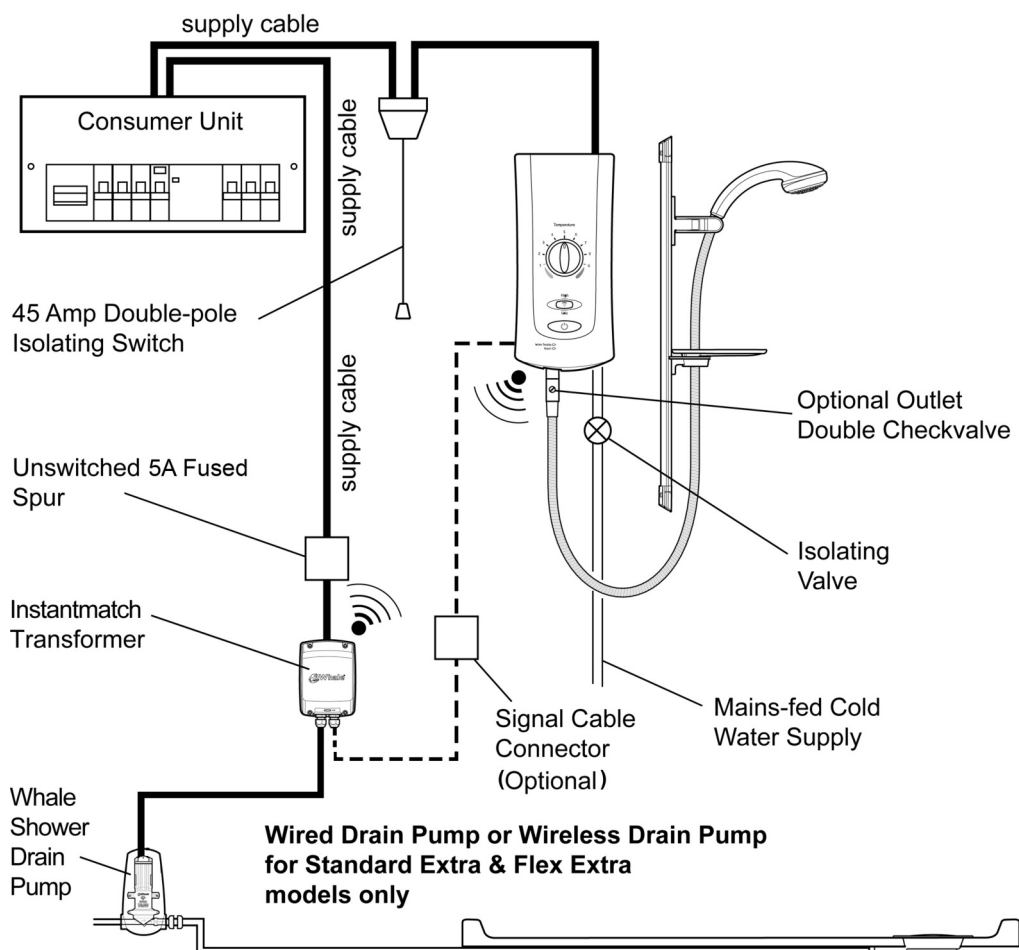


1.9



## INSTANT MATCH System Electrical Connections

2.0



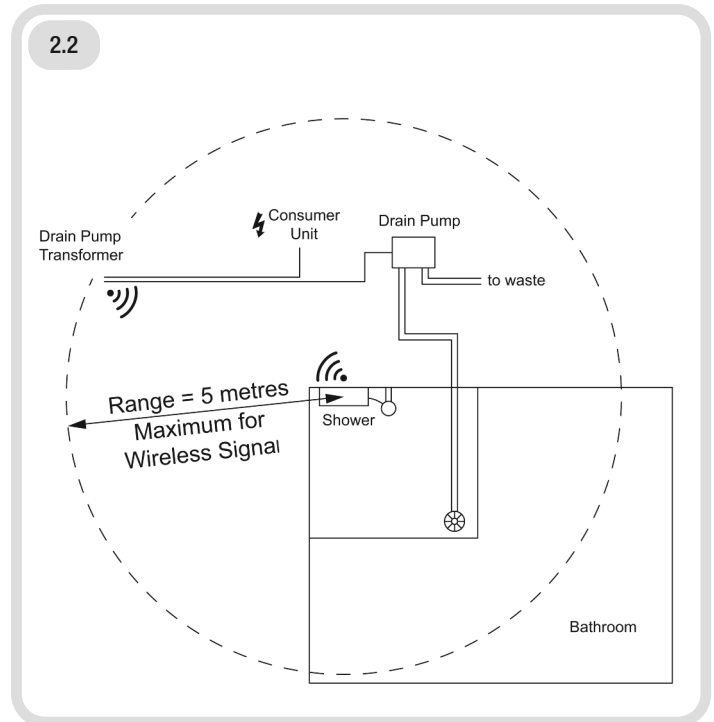
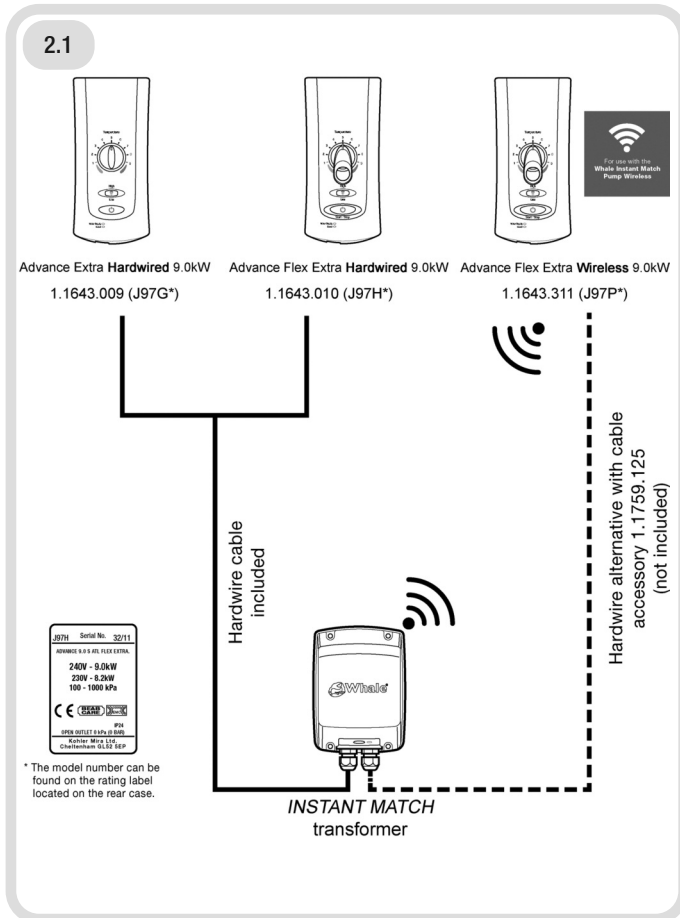


## Shower Compatibility

For **INSTANT MATCH Wireless** installation see page 9-13  
 For **INSTANT MATCH Hard Wire** installation see page 14-15



## WIRELESS Signal Range



## WIRELESS Transformer Installation

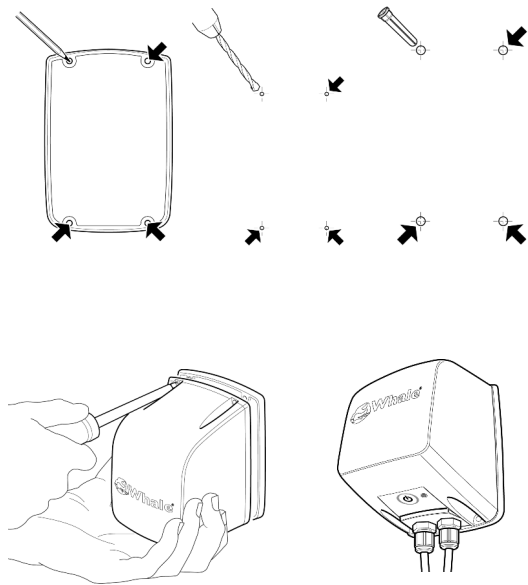


- The **INSTANT MATCH** pump can be controlled by the Mira Advance Extra via a wireless signal from the shower to the pump transformer.
- For optimum signal strength mount the transformer within 5 mtrs of the shower. **See Fig 2.2** for positions of transformer and shower.
- Be aware that in very rare situations dense or metal building materials or electronic devices can interfere with the wireless signals.
- Install the Mira Advance Extra in accordance with the separate installation guide supplied with the shower.
- Before the system will operate correctly the **INSTANT MATCH** transformer must be registered to the shower. **See 'INSTANT MATCH Transformer Registration' section See Fig 2.6, Page 12.**

## Transformer Mounting and Electrical Connections

- The transformer is IP45 compliant with the base plate fitted and mounted to a flat surface using the 4 screws provided. See Fig 2.3
- The transformer may be installed in zones 1, 2 or 3 with base plate fitted.
- Ensure that the transformer is mounted vertically.
- Do not mount the transformer behind foil backed board or insulation.
- Mains supply to the transformer should be made using an unswitched, 5 amp fused spur.
- The transformer 24V d.c. RED and BLACK cable supply to the pump should be terminated using the crimp connectors supplied. Connect to the pump RED and BLACK male crimps. The polarity of the connection **must be** correct for the pump to operate.

2.3



## Transformer Settings (also see Quick Guide)

The transformer is factory set for use with Mira Advance Extra WIRELESS. See Fig 2.4.

- **Setting 1:** Sensor type. Select the type of sensor used:

**Mira Advance Extra WIRELESS** (Default Setting).

**Mira Advance Extra WIRED** (For use with sensor wire

- see 'Hard Wired **INSTANT MATCH** Transformer section and enclosed Quick Guide).

**Venturi Sensor** (For use with a Venturi sensor

- Part No. SDS223T. See enclosed Quick Guide and instructions enclosed with Venturi Sensor).

**Gems Sensor** (For use with Gems Sensor. See enclosed Quick Guide).

- **Setting 2:** Off Delay. Adjust the time that the pump will over-run.

**10 Seconds:** (Default Setting)

Suitable for most Electric Shower installations.

**30 Seconds:** Suitable for slow draining areas.

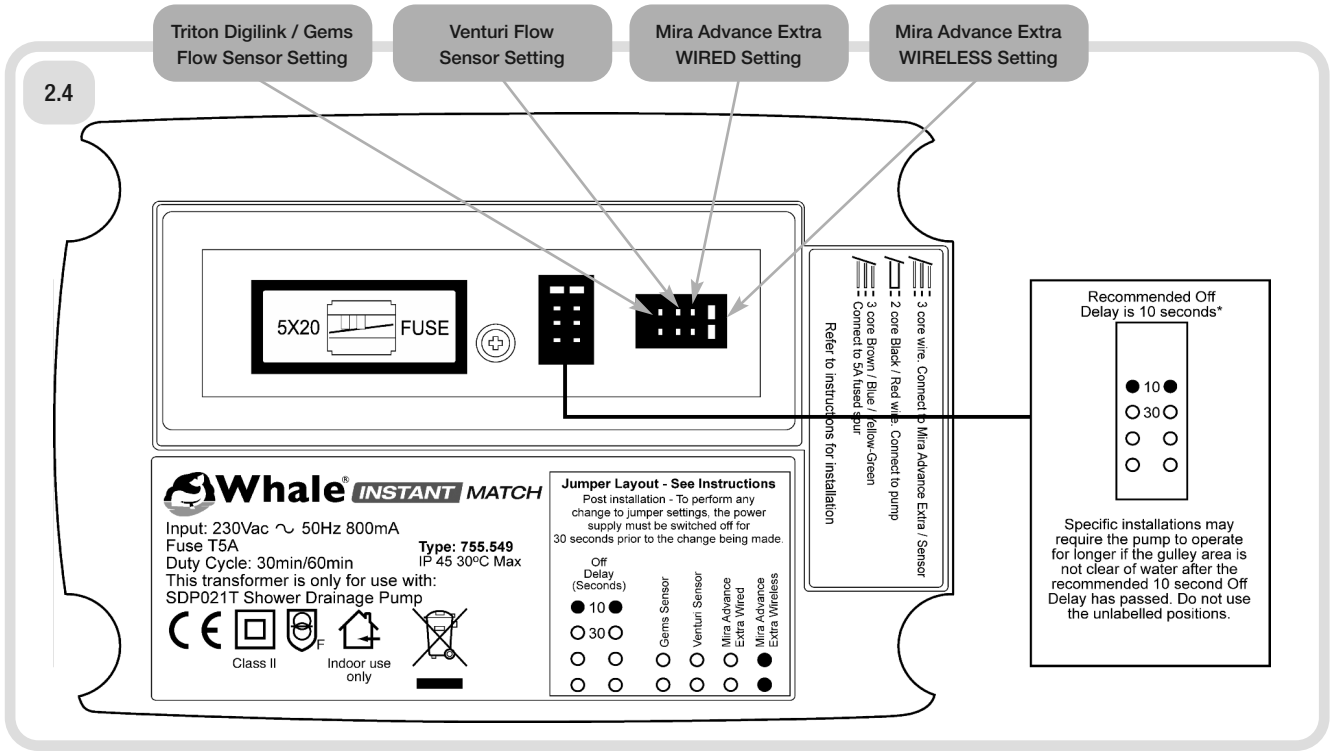
- **Purge Cycle** - After 15 minutes, the transformer will reactivate the pump for 30 seconds to remove any run-off or condensation that has collected in the gulley to leave the shower area dry.

- **Test Button** - The Test Button provides a quick and convenient way to test the transformer and pump operation. Press, hold and release to energise pump. Green LED will illuminate on Test button and the pump, if connected, will run for the Off Delay time set.

### ActiveLink

The Whale **INSTANT MATCH**® transformer includes **ActiveLink** diagnostics to aid installation. The green LED on the transformer will provide an illuminated signal as follows:

1. Having connected the transformer to the power source press the Test Button, if power is present the green LED will illuminate.
2. Having registered the **INSTANT MATCH** wireless transformer with the Mira Advance Extra, the green LED will flash slowly to indicate correct connection.
3. When the shower is turned on the green LED will flash rapidly to indicate correct operation.



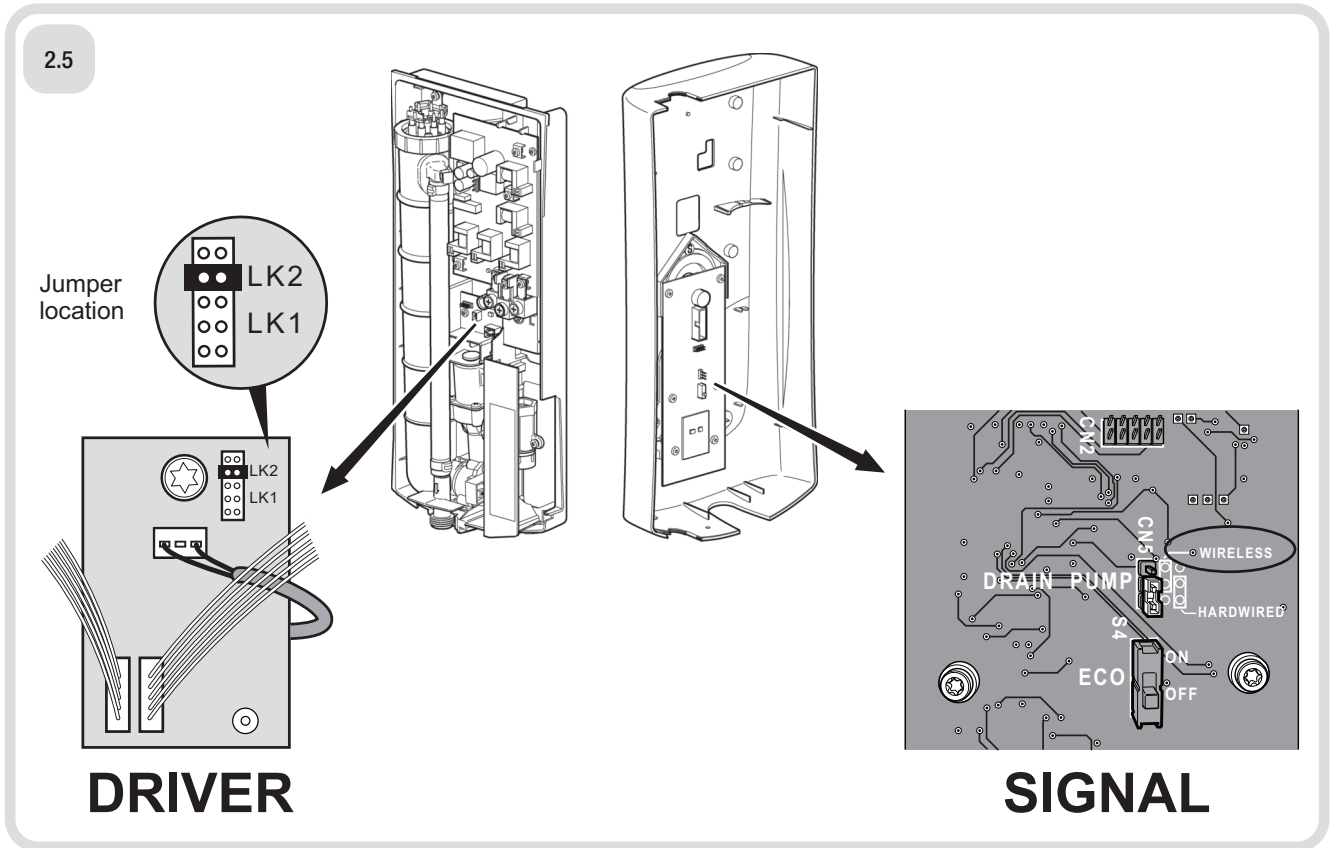
## WIRELESS System Registration – Mira Advance Extra Setting



Before starting the WIRELESS registration process please ensure that the Mira Advance Extra internal settings are set as follows See Fig 2.5

DRIVER PCB setting: LK2

SIGNAL Front Cover PCB setting: WIRELESS



# WIRELESS System Registration – Shower and Transformer

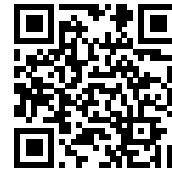
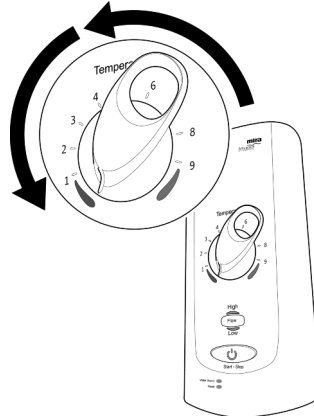


2.6

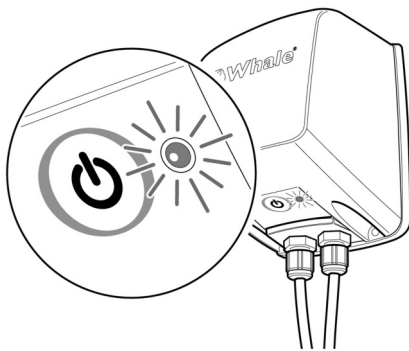
The **INSTANT MATCH** transformer must register with the Mira Advance Extra shower to establish a reliable connection.



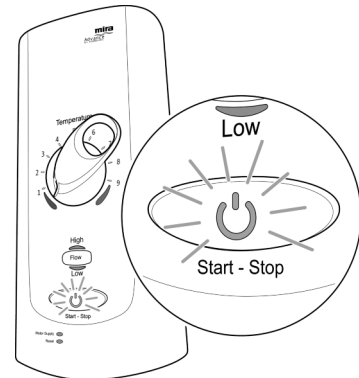
1. Turn mains electric power supply to the shower **OFF**.



2. Set the shower temperature to **FULL COLD**.

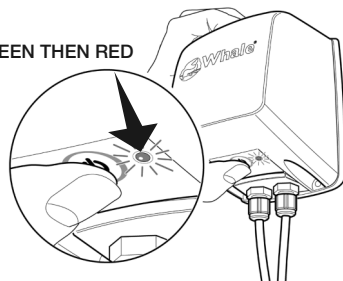


3. Switch mains electric power to the pump transformer **ON**  
Indicated by a flashing **GREEN** then **RED** light on the transformer **TEST BUTTON**.



4. Turn mains electric power supply to the shower **ON**. This illuminates the **BLUE** light on the shower **START - STOP** button.

FLASHING GREEN THEN RED

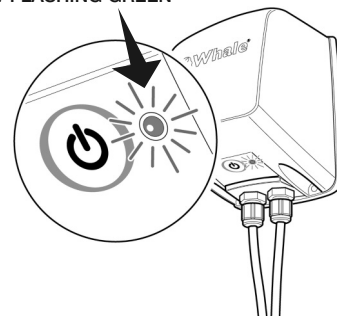


5. **IMPORTANT** Within 30 seconds press and hold the transformer **TEST BUTTON**.

After a delay of up to 15 seconds, the shower will give a long audible bleep and the transformer **LED** will begin to flash **GREEN** on button release.

This indicates successful registration.

NOW FLASHING GREEN



6. Turn shower **OFF** and begin commissioning the shower as normal. If you have any difficulties refer to the trouble shooting guide.

## WIRELESS Connection Test



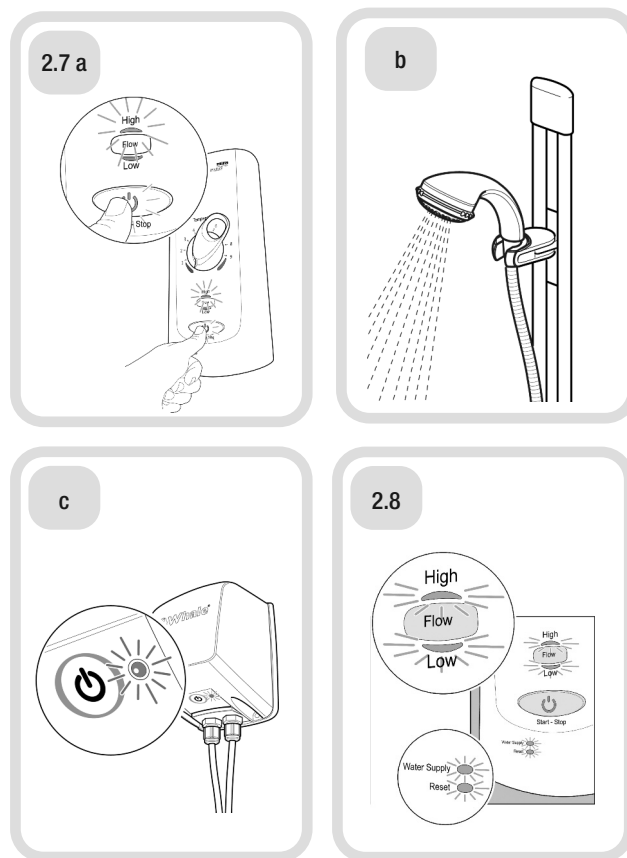
- a Press the **START/STOP** button on the shower panel  
See Fig 2.7 a
- b The shower will run. See Fig 2.7 b
- c The pump will start within 10 seconds. The flash rate of the transformer **GREEN LED** will increase from approx 1 flash every 4 seconds to 1 per second. This indicates correct operation. See Fig 2.7 c
- Press the **HIGH – LOW** flow button on shower to alter flow rate. Note that the pump speed changes to match this setting.
  - If wireless connection is operating correctly, proceed with the normal Mira commissioning routine to set the shower maximum water temperature.



Once initial registration has been achieved, the two units will work together unaffected by other wireless units in the vicinity.



If power is cut or the shower or pump transformer is switched off, registration will be maintained and the system will work properly once power is restored to both the shower and pump transformer.



## WIRELESS Failure

A wireless communication failure is indicated by the shower emitting a single beep and all lights flashing for 10 seconds, except for **START-STOP** button. Shower will turn off. Shower may be started by pressing **START-STOP** button. See Fig 2.8. If this happens repeatedly, re-register the **INSTANT MATCH** transformer as described above. If problem persists do the following:

- Refer to Mira instructions on alternative radio channel registration - section 'Fault Diagnosis'.

### Fault symptoms

- Mira shower beeps once and runs for 10 seconds with all lights flashing (except for **START-STOP**) before turning off.
- Pump not operating: i.e. light circuit fuse blown. - Mira shower runs for ten seconds and shuts down. All lights flash.
- Shower not operating: i.e. RCD trip. - Pump runs for twenty seconds and stops automatically.

## De-registering **INSTANT MATCH** Transformer

When any work is done on the Mira Advance Wireless shower that includes replacement of parts the need to de-register and re-register the pairing of the **INSTANT MATCH** transformer may become necessary. To carry out de-registering please follow these steps.

- Remove transformer from its mounting and back plate.
- Change jumper setting from Mira Advance Extra WIRELESS to Mira Advance Extra WIRED.
- Press and hold transformer test button for a period of 15 seconds.
- Power down the transformer for at least 30 seconds.
- Change jumper setting back to Mira Advance Extra WIRELESS whilst the transformer is powered down.
- The L.E.D light on the front of the transformer will flash Green/Red again showing that the transformer is de-registered.
- Carry out re-registering of the transformer and shower unit again.

Please be aware that de-registering must only be carried out when the Mira Advance Extra WIRELESS shower has had remedial work carried out that requires replacement parts or the shower has been replaced. It is not needed if carrying out any other form of remedial work.

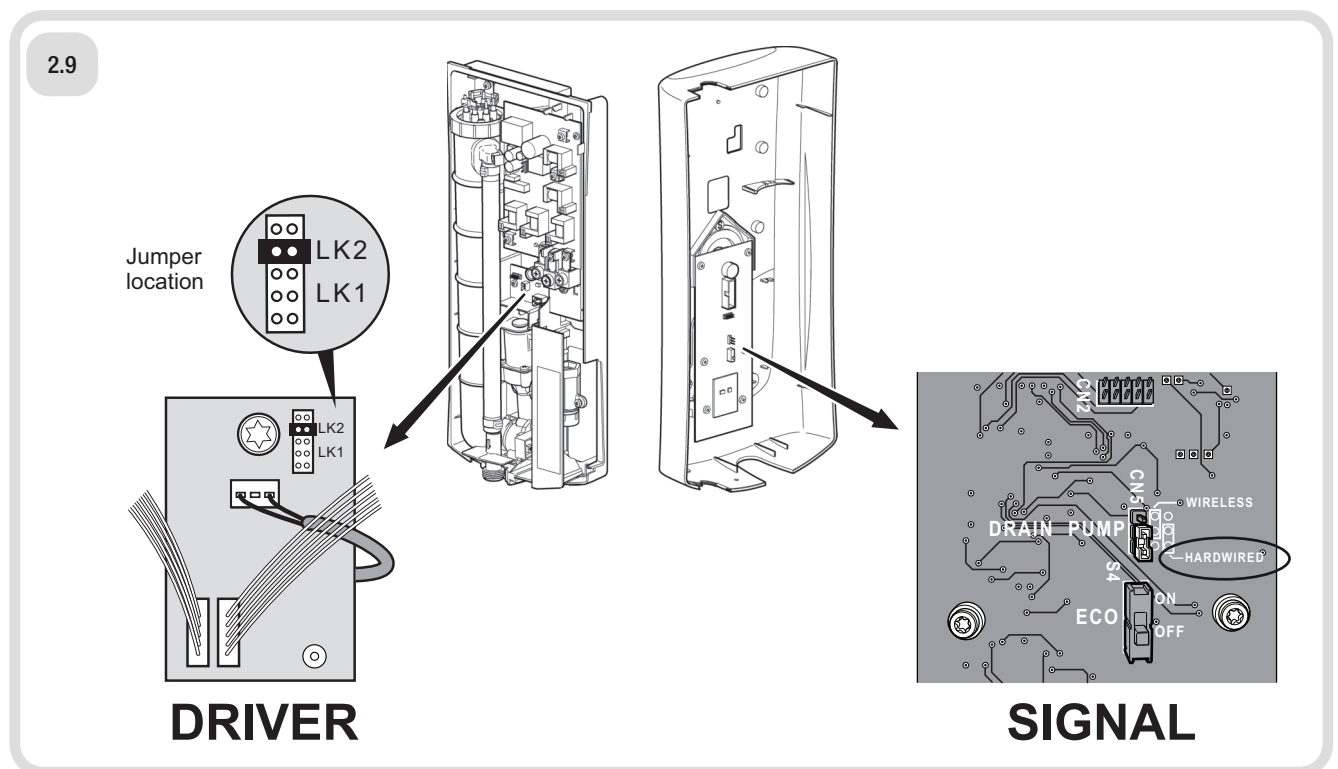
## Hard Wired **INSTANT MATCH** Shower Settings

The **INSTANT MATCH** may be HARD WIRED to the Mira Advance Extra. Before starting the installation process please ensure that the TRANSFORMER and SHOWER settings are changed.

The Mira Advance Extra internal setting are set as follows  
**See Fig 2.9**

**DRIVER** PCB setting: **LK2**

**SIGNAL** Front Panel PCB setting: **HARD WIRED**



## Hard Wired **INSTANT MATCH** Transformer Settings (also see Quick Guide)

The transformer is factory set for use with Mira Advance Extra **WIRELESS**.

Change jumper to Mira Advance Extra **WIRED**. The jumpers on the base of the transformer may be moved to suit other makes of electric shower.

See Fig 2.4, Page 11 and enclosed Quick Guide.

- **Setting 1: Sensor type**

Select the type of sensor used:

**Mira Advance Extra WIRELESS** (This is the Default Setting and will need moved for a WIRED installation).

**Mira Advance Extra WIRED** (For use with the sensor cable connecting the transformer to the shower).

**Venturi Sensor** (For use with a Venturi sensor-Part No. SDS223T. See enclosed Quick Guide and instructions enclosed with Venturi Sensor).

### Gems Sensor

(For use with Gems Sensor. See enclosed Quick Guide).

- **Setting 2: Off Delay**

Adjust the time that the pump will over-run.

- **10 Seconds: (Default Setting)**

Suitable for most Electric Shower installations.

- **30 Seconds:** Suitable for slow draining areas.

- **Purge Cycle** - After 15 minutes the transformer will reactivate the pump for 30 seconds to remove any run-off or condensation that has collected in the gully.

- **Test Button** - The Test Button provides a quick and convenient way to test the transformer and pump operation. Press, hold and release to energise pump. Green LED will illuminate on Test button.

## Hard Wired **INSTANT MATCH** Electrical Connections (also see Quick Guide)

The signal lead is connected to the Mira Driver PCB by a white plug-in connector. It is grey in colour and has two internal conductors, one white and one brown.

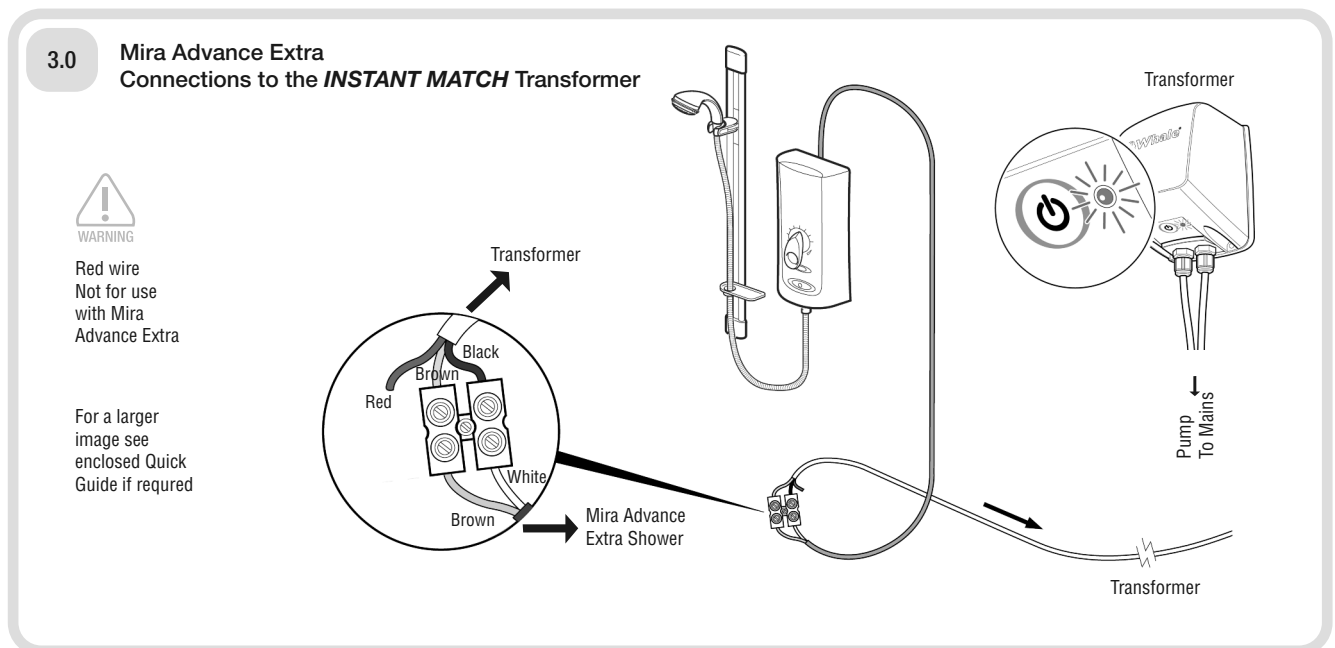
The transformer has a signal lead with three internal conductors; red, brown and black.

Connect the signal leads from the transformer and shower as shown in the diagram below. **DO NOT** connect the RED lead. See Fig 3.0

### **ActiveLink**

The Whale **INSTANT MATCH** transformer includes **ActiveLink** diagnostics to aid installation. The green LED on the transformer will provide an illuminated signal as follows:

1. Having connected the transformer to the power source, press the Test Button. If power is present the green LED will illuminate.
2. Having connected the **INSTANT MATCH** transformer sensor cable to the Mira Advance Extra, the green LED will flash slowly to indicate correct connection.
3. When the shower is turned on the green LED will flash rapidly to indicate correct operation.



## Safety Warning

- The transformer is for indoor use only.
- The transformer contains no user serviceable parts. External components for service are fuse and adjustment jumpers only.
- Where there is damage to the transformer or cabling, contact your Whale distributor for a replacement.
- Do not connect mains to the pump as this will cause permanent damage and result in an electrical hazard.
- Installation must conform to BS7671: 2008 Part7 (17th Edition).

# Installation Testing & Repair

The pump system is designed not to require maintenance. If the pump runs but water builds up in the tray, first establish the nature of the problem by adhering the following procedure:-

NOTE

**This must only be carried out by a qualified contractor.**

**TEST PUMP SUCTION** - Remove the pump inlet coupling and press the test button to get the pump going. Place a finger in the inlet hole and sense how much the pump is sucking. If strong suction is felt, suspect the installation and clear the blockage or check for air leaks as follows:-

**RODDING PIPEWORK:** When blockage is apparent, disconnect the pump from the waste pipe, insert and attempt to push blockage through pipe with a separate piece of pipe 1 size smaller than installed. For example, for a 15mm pipe use a 10mm piece of pipe as you rod to clear blockage, and likewise for a 22mm pipe use a 15mm rod. This is an effective way of ensuring any blockage is removed from the waste pipe run. An alternative option for a rod is a 6mm drain rodding spring if one is available.

**EXTERNAL PIPEWORK TEST:** Make up external pipe work from the pump directly across the bathroom floor and elbow into gully. Use elbows as required and up to 3m of pipe.

**See Fig 3.1.** Turn the shower on. If water is extracted problems with existing pipe work are confirmed.

**AIR LEAK TEST:** Put a clear tube from discharge to sink. If water builds up and fills gully yet air is seen in the clear tube on discharge, the air must be coming from the pipe work. This should be investigated by lifting the floor/tray.

**See Fig 3.2**

**FLOW RATE TESTING:** A convenient way to measure flow rate is to get a 2ltr plastic jug and mark the 2ltr level in black pen.

Turn shower on to where customer normally uses it – often maximum.

Put jug under shower head and measure how long it takes for jug to fill to 2ltr line.

Longer than 20 seconds indicates flow rate of less than 6ltr per minute – typical for electric showers.

Shorter than 15 seconds indicates a flow rate of more than 8ltr per minute – normal for mixers.

**CHECK TRICUSPID VALVE** - Remove the tricuspid valve holder screwed onto the pump discharge. Push out the valve and assess its condition. If it is worn or stiff, change it and re-test. It is good practice to replace the tricuspid valve when doing any routine service.

**CHECK INSIDE PUMP HEAD** - Remove the clamping ring and pump head carefully so as not to disturb the seating of the diaphragm. Check valves in pump head are clear of

debris. Remove any debris and rinse out head before refitting head and clamping ring.

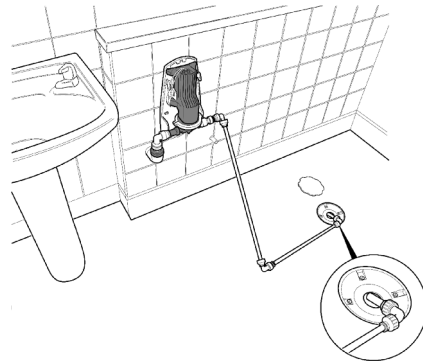
Do not pinch the diaphragm bead. This is the primary cause of poor pump performance.

If the diaphragm has become unseated, disconnect one low voltage lead at pump, press the test button and make an instantaneous contact between disconnected leads. This will change the position of the diaphragm. Do this until the diaphragm is at its lowest position. The diaphragm bead will now push easily into the groove on the pump body and the head will also fit easily onto the diaphragm bead, without pinching it, replace and tighten clamping ring.

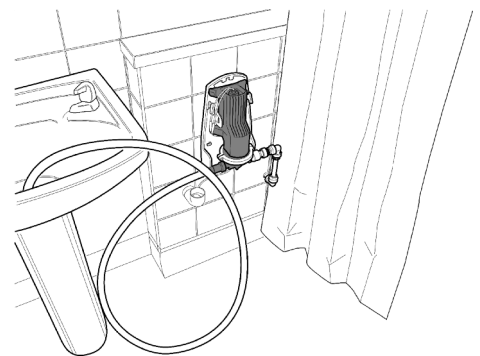
**Check for leaks whilst pump is running.**

**Spare parts and accessories are listed on Page 4.**

3.1



3.2





# EU Declaration of Conformity

Description of Equipment: Shower Drain System

## Manufacturer's Declaration

We hereby declare, under our sole responsibility, that the above equipment complies with the provisions of the following EC Directives.

Electromagnetic Compatibility Directive 2004/108/EC, on the approximation of the laws of the Member States relating to electromagnetic compatibility.

Low Voltage Directive 2006/95/EC on the harmonization of the laws of the Member States relating to electrical equipment designed for use within certain voltage limits.

CE mark first affixed: 01/03/08

## Basis on which conformity is declared

The above equipment complies with the protection requirements of the EMC Directive and the principal elements of the safety objectives of the Low Voltage Directive.

## Standards applied

EN 60335-1:2001/A2:2006 Safety of household and similar electrical appliances

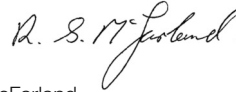
EN 60335-2-41:2003/A1:2004 Particular requirements for pumps

EN 55014-1:2000/A2:2002 Electromagnetic compatibility. Requirements for household appliances, electric tools and similar apparatus. Emission

EN 55014-2:1997/A1:2001 Electromagnetic compatibility. Requirements for household appliances, electric tools and similar apparatus. Immunity.

The **INSTANT MATCH** Wireless radio signal is licensed for public use and meets radio standards R&TTE: ETSI EN300 220-1.

Signed



Stanley McFarland  
Engineering Director  
Whale 277-279 Old Belfast Road Bangor,  
Co. Down, BT19 1LT

UK Technical Helpline: 0845 0694 253

whalepumps.com info@whalepumps.com

tel: +44 (0)28 9127 0531 fax: +44 (0)28 9146 6421

# Statement of Limited Warranty

The products manufactured and supplied by the Company ("**Products**"), are warranted to be free from material defects in design, workmanship and material under normal use ("**Defects**") for (unless otherwise extended in advance in writing by the Company) a period of 3 years from date of purchase, save that this warranty shall not apply where the Defect is attributable to defective materials supplied by third parties. In such event, the only remedy of the buyer of the Products ("**Buyer**") will be against that third party.

This warranty applies only to Products that are properly installed and used in accordance with all oral and written maintenance, installation, and operation instructions provided by the Company. The Company shall not be liable for a breach of any of the warranties in this Statement of Limited Warranty if the Buyer makes any further use of the Products after giving the Company notice of any Defect or the Buyer alters or repairs such Products without the written consent of the Company. Products that have been disassembled or modified (without prior written approval of the Company), are not covered by this warranty.

All Products are covered by a 3 year limited warranty (detailed below) from (unless otherwise extended in advance in writing by the Company) date of purchase ("**Standard Warranty**"). In addition to the Standard Warranty, these Products will be covered by a further warranty of 2 years but only when the registration form is completed and returned ("**Additional Warranty**"). The period of such Additional Warranty shall commence automatically the date the Standard Warranty expires.

In the event that any of the warranties offered by the Company are breached, the Company shall (at its discretion) repair, replace or issue a spares kit for the defective Product subject to prior examination at Company premises. If the Company complies with this paragraph, it shall have no further liability for a breach of the warranties in respect of such Products. Adjustment or replacement of defective parts made under this warranty will not extend the warranty period applicable either under the Standard Warranty and/or the Additional Warranty.

The Company shall not bear any costs of removal, installation, transportation, or other charges that may arise in connection with a warranty claim by the Buyer. Such costs shall be the Buyer's sole responsibility.

No claim in respect of defective Products will be valid unless the alleged defective Products are returned at the Buyer's expense to the Company for inspection, together with proof of purchase.

Non- stock/ special order items are non- returnable by the Buyer in any circumstances, and this warranty does not apply to prototype models.

## EXCLUSIONS:

The Company shall not be liable for any indirect loss or for any special, incidental, punitive or consequential damages suffered by the Buyer and/or any third party, whether this loss arises from breach of a duty in contract or tort or breach of a statutory duty or in any other way, including, without limitation, loss arising from the negligence, default, breach of duty, non-delivery, delay in delivery or defects or errors in the work undertaken by the Company pursuant to the terms of this Statement of Limited Warranty or in connection with any other claim arising in connection with manufacture and/or supply of the Products.

In particular, the Company shall not be liable (without limitation) for:

- Loss of profits, increased production costs or other economic injury or loss;
- Loss of contracts or opportunity; and/or
- (insofar as is permitted by applicable law) damage to property of the Buyer or any third party.

The Company shall under no circumstances be liable for any breach of its obligations hereunder and/or under any contract governing sale and purchase of the Products ("**Contract**") resulting from causes beyond its control including but not limited to fires, strikes, lockouts, insurrection or riots, terrorism or civil disorder, embargoes, wrecks or delays in transportation, requirements or regulations of any governmental authority, tempest, earthquake or other natural disaster, flood, bursting or overflowing of water tanks, failure or shortage of power, fuel or other utilities, or loss of data and/or communications due to causes such as those referred to in this paragraph.

This statement sets out the Company's entire liability in respect of the Products and the Company's liability under this statement shall be in lieu of all other warranties, conditions, terms and liabilities, express or implied, statutory or otherwise howsoever except any implied by law which cannot be excluded.

All warranties, conditions and other terms implied by statute or common law (save for the conditions implied by section 12 of the Sale of Goods Act 1979) are, to the fullest extent permitted by law, excluded from the Contract.

Subject to the remaining provisions of this Statement of Limited Warranty, the Company's total liability in contract, tort (including negligence or breach of statutory duty), misrepresentation, restitution or otherwise, arising in connection with the performance or contemplated performance of the Contract and supply of the Products shall be limited to the Contract price.

Nothing in this Statement of Limited Warranty shall operate so as to exclude or restrict the Company's liability for death or personal injury caused by its negligence.

The Company shall **NOT** be liable for any condition, warranty or representation made by a distributor or other person acting on behalf of the Company unless expressly confirmed by the Company in writing.

This Statement of Limited Warranty shall be governed and construed in accordance with Northern Irish law and all disputes arising in connection hereto shall be submitted to the exclusive jurisdiction of the Northern Irish Courts.

#### **DISCLAIMER**

All Products are rated and appropriate for use with water unless otherwise specified by the Company. Compatibility and suitability for other liquids should be verified in writing by the Company prior to such use. All specification information on Products included in Product literature is based on tests using clean cold water unless otherwise

specified. Any performance / specification figures shown have been calculated using standard testing procedures. Where maximum output is stated, such maximum output refers to pumps acting at zero lift and zero head. Actual performance may vary depending on the application, installation and environmental factors. Neither the accuracy nor completeness of the information contained in any Product brochure is guaranteed by the Company and may be subject to change at its sole discretion. The Company may, at its sole discretion, change the technical performance, dimensions or appearance of any of its Products without prior notification to purchasers. The Company shall not be liable to a purchaser for any indirect or consequential loss or damage (whether for loss of profit, loss of business, depletion of goodwill or otherwise), costs, expenses or other claims for consequential compensation whatsoever (howsoever caused) which arise out of or in connection with the use of a Product. Where dimensions are stated, such dimensions are for guidance only. Inch measurements are conversions from millimetre dimensions and are shown to the nearest 1/16". US gallons volumes are conversions from litres and are also shown for guidance purposes only to the nearest 1/16. Please contact the Company directly if precise measurements are required.

## Specification

### **Pump**

Model: SDS021T  
Dry running current: 1.2 amp  
Maximum Head: 1.0 m  
Maximum Lift: 500 mm  
Maximum Head & Lift: 1.5 m

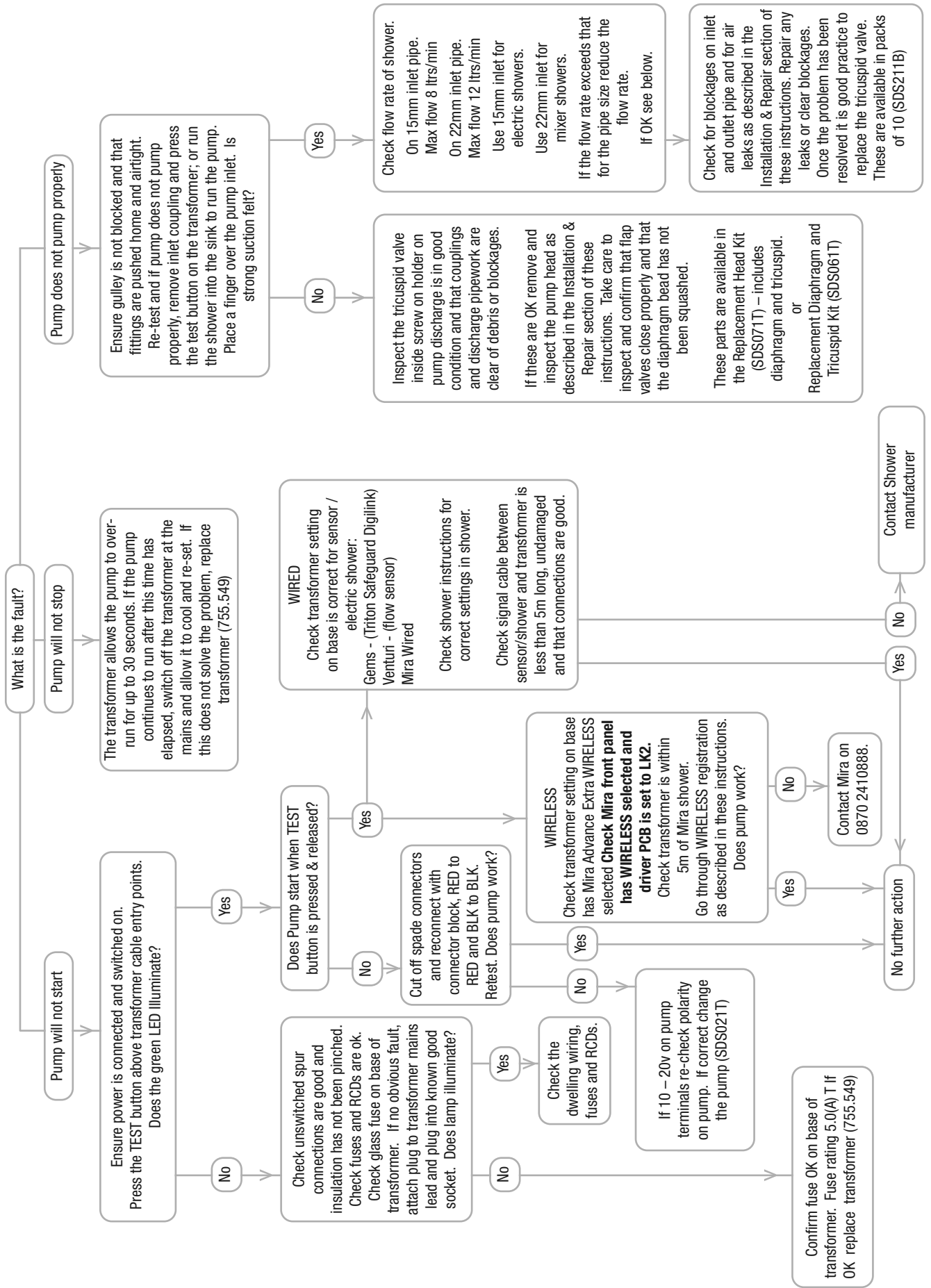
### **Transformer**

Model: 755.549  
92 Watts intermittent rating  
Double insulated  
Thermal protected  
Mains cable 1.8 m (3 core, 0.5 mm<sup>2</sup>)  
Low voltage cables 5 m (10 amp rating)  
Pump control cable (3 core 5 m)  
Sensor type selector  
Off Delay of 10 and 30 seconds  
5 amp slow blow fuse

Whale's policy is one of continuous improvement and we reserve the right to change specifications without prior notice.

All illustrations are for guidance purposes only.

# INSTANT MATCH Kit Fault Diagnosis





**Whale®**



**Contact us**

Whale 277-279 Old Belfast Road Bangor  
Co. Down, BT19 1LT, N.Ireland

[www.whalepumps.com](http://www.whalepumps.com) / [info@whalepumps.com](mailto:info@whalepumps.com)

**Contact the Technical Helpline  
If you need further assistance**

**0845 0694 253**

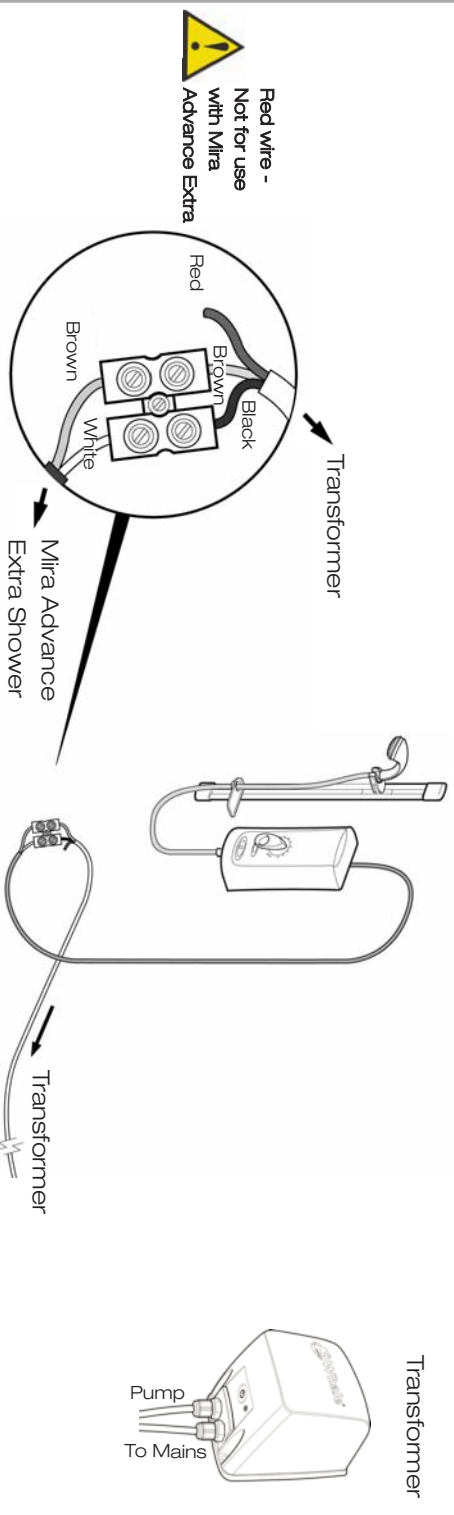
# INSTANT MATCH



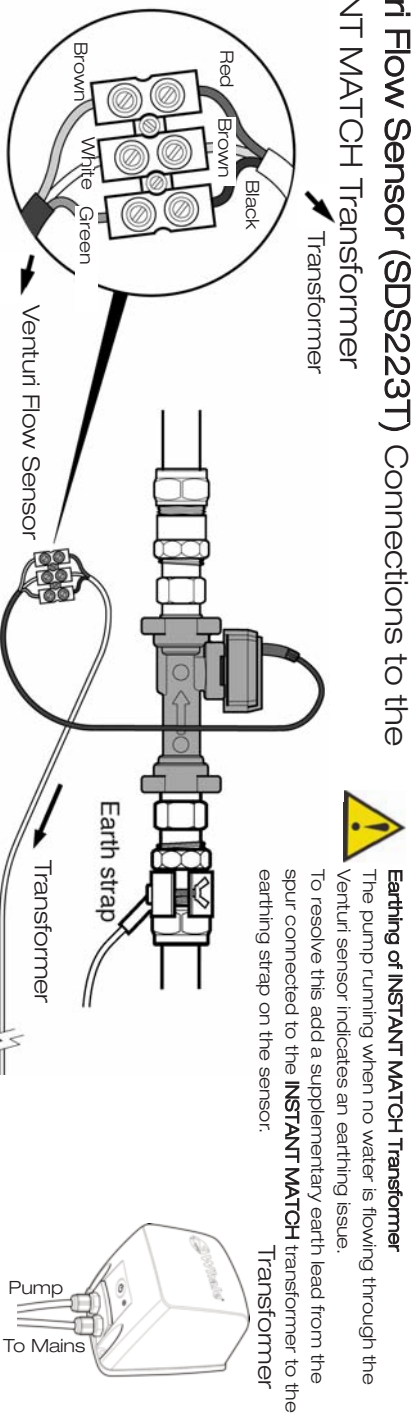
Quick Guide for Flow Sensor Connections  
to the INSTANT MATCH Transformer

For INSTANT MATCH WIRELESS please see page 10 and 11 of the main instructions.

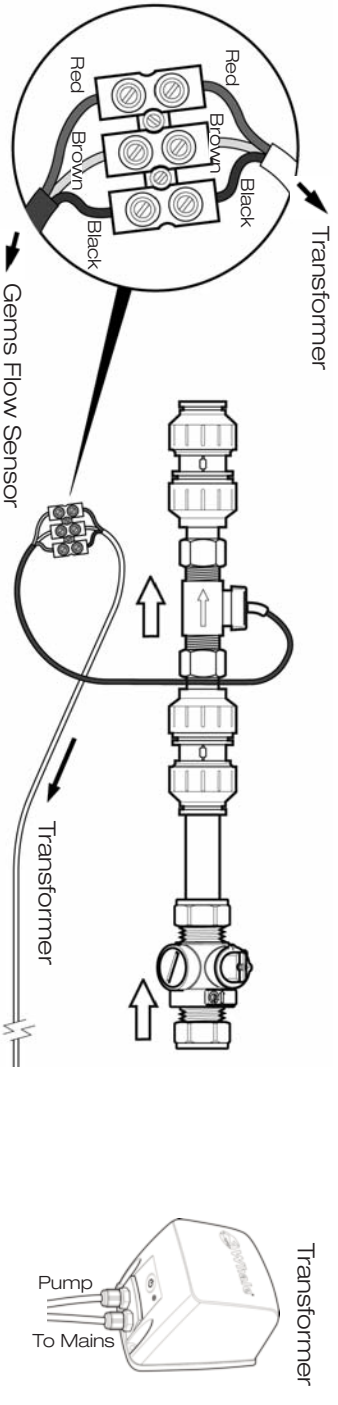
Mira Advance Extra WIRED Connections to the INSTANT MATCH Transformer



Venturi Flow Sensor (SDS223T) Connections to the  
INSTANT MATCH Transformer

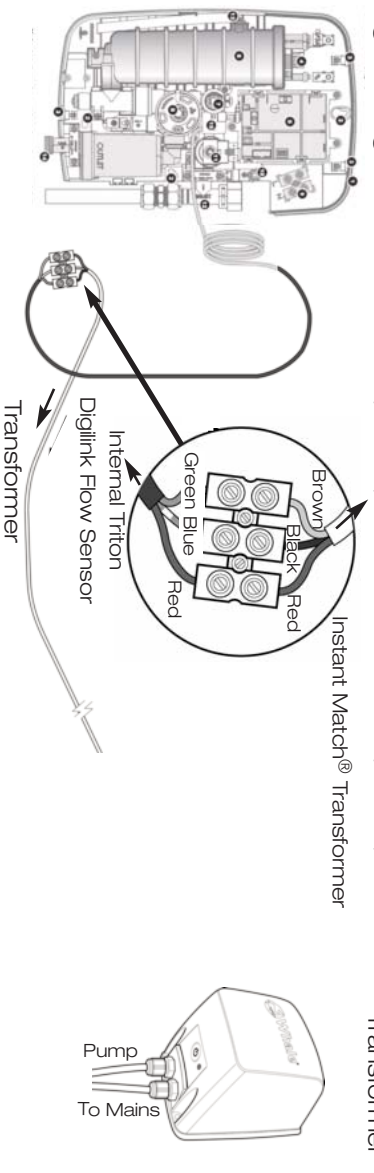


Gems Flow Sensor (B1000237) Connections to the INSTANT MATCH Transformer



Triton Safeguard Digilink Connections to the INSTANT MATCH Transformer

Compatible with Triton Safeguard Digilink CSGDL08WC (8.5kW) and CSGDL09WC (9.5kW)



# Quick Guide for *INSTANT MATCH* Transformer for Connection to the Mira WIRELESS, Mira WIRED, Venturi Flow Sensor and Gems Flow Sensor

**INSTANT MATCH**

## Active Link

### Setting 1: Sensor Type

Select the type of sensor used.

- **Mira Advance Extra WIRELESS (Default Setting)**
- **Mira Advance Extra WIRED** (For use with sensor wire. See 'Transformer Settings' section Page 10 and 11 in the main instructions and overleaf).
- **Venturi Sensor** (For use with a Venturi sensor - Part No. SDS223T. See overleaf for sensor connections and instructions enclosed with Venturi Sensor).
- **Gems Sensor** (For use with Gems Sensor and Triton Safeguard Digilink. See overleaf for sensor connections / connections to Triton Safeguard Digilink).

### Setting 2: Off Delay (10, 30 seconds)

Adjust the time that the pump will over-run to clear the shower tray/area to suit the installation.

- 10 Seconds: (Default Setting)** Suitable for most Electric Shower installations.
- 30 Seconds:** Suitable for slow draining areas.

**Purge Cycle** - After 15 minutes, the transformer will reactivate the pump for 30 seconds to remove any run-off or condensation that has collected in the gully and to leave the shower area dry.

**Test Button** - The Test Button provides a quick and convenient way to test the transformer and pump operation.

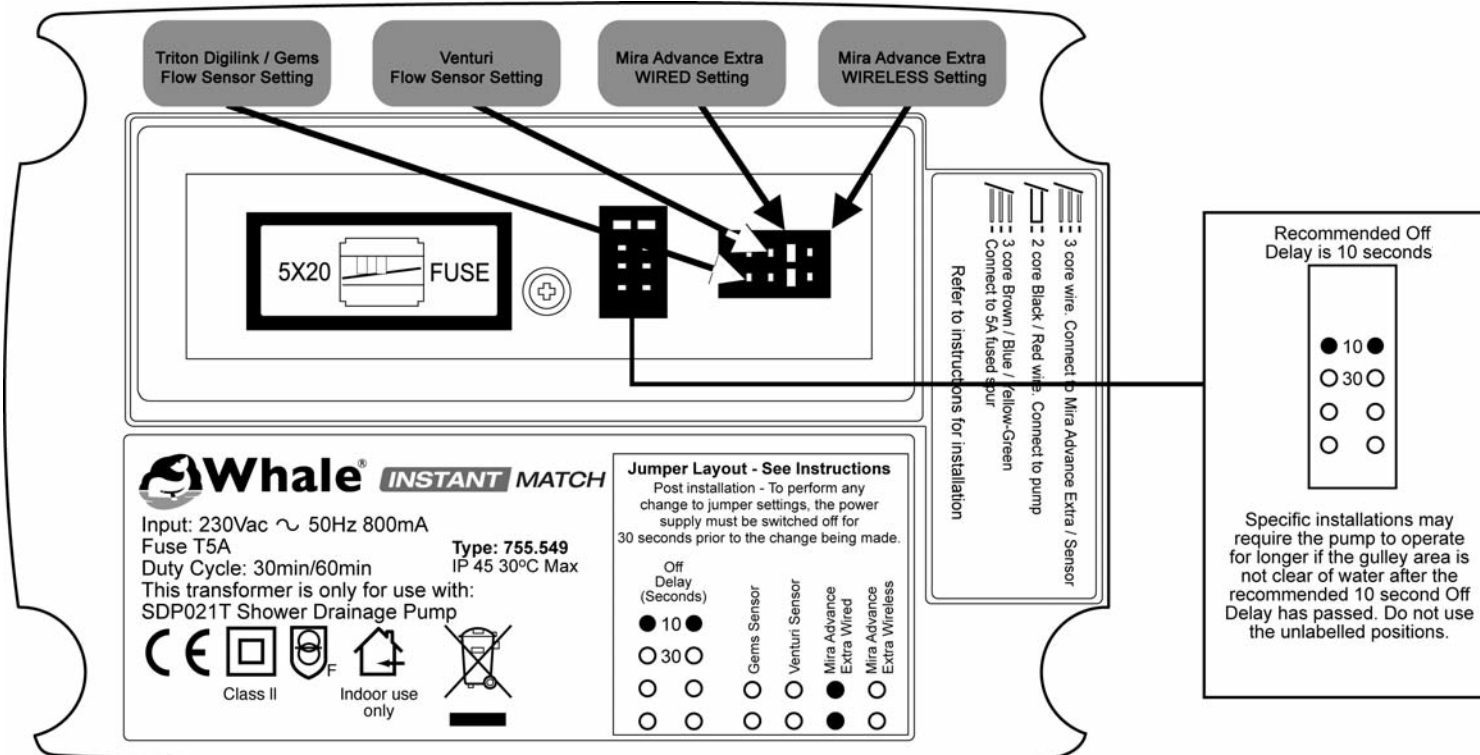
Press, hold and release to energise pump.

The Whale *INSTANT MATCH*® Transformer includes Active Link diagnostics to aid installation. The green LED on the transformer will provide an illuminated signal as follows:

1. Having connected the transformer to the power source press the Test Button, if power is present the green LED will illuminate.

2. Having connected the *INSTANT MATCH* transformer sensor cable to a Mira Advanced Extra with Active Link compatibility the green LED will flash slowly to indicate correct connection.

3. When the shower is turned on and water passes through the flow sensor (internal shower/external) the green LED will flash rapidly to indicate correct operation.



These settings are only designed as a guide - adjust settings to suit the specific installation.

Ref. 180.145\_v4\_0713